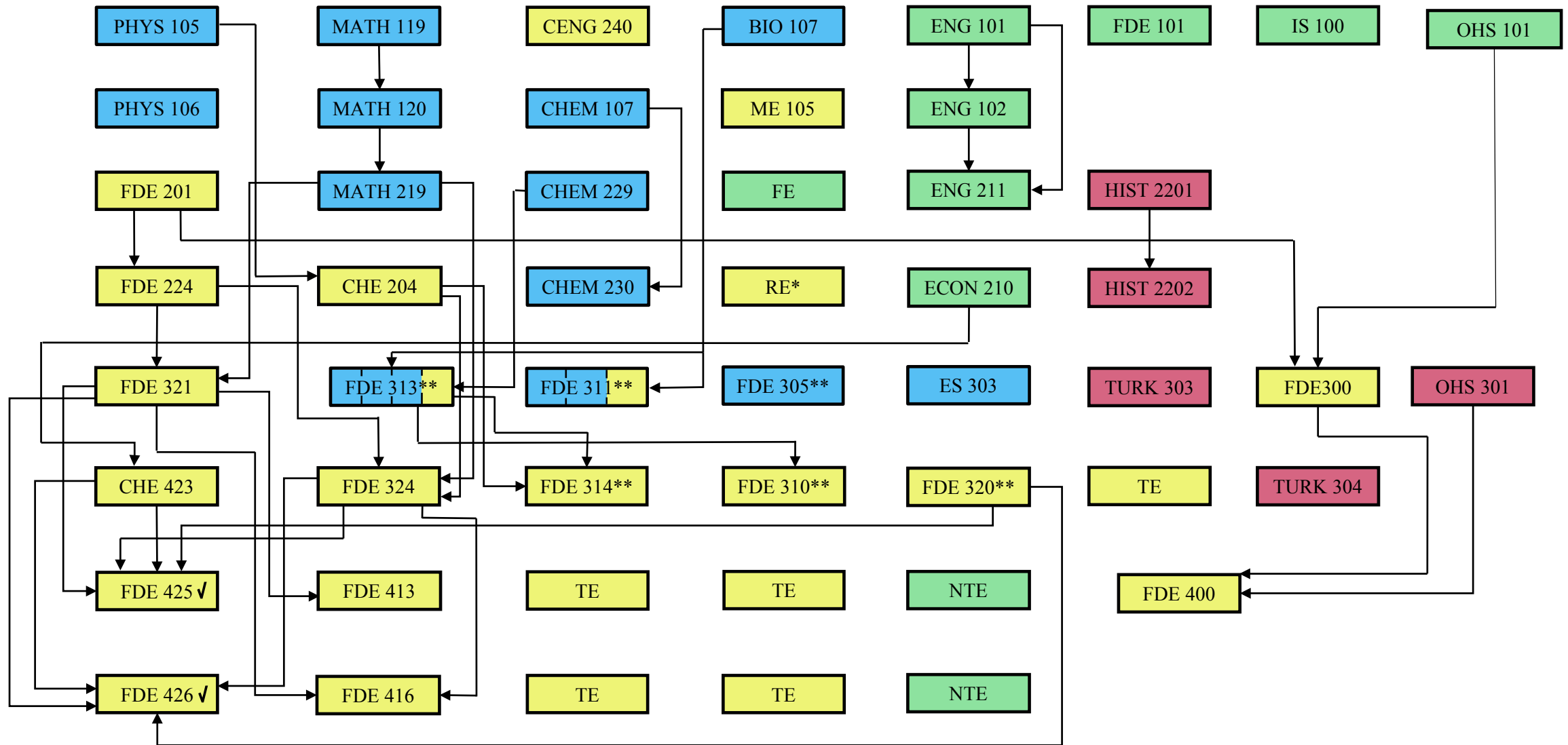


Food Engineering Department Curriculum and Prerequisites



✓: Contains significant design

*RE: METE 230, EE 209, CENG 301, CENG 302, IE407, MATH260, PHYS207, BIOL317

**Corequisite: FDE 305 (FDE 311), FDE 310 (FDE 314), FDE 320 (FDE313)

TE: FDE 316 (MATH 219, FDE 224), FDE 312 (FDE 321), FDE 318 (FDE 313), FDE 322 (FDE 311), FDE 403 (FDE 313), FDE 412 (FDE 320), FDE 415 (FDE 311), FDE 418 (FDE 313), FDE 431 (ES 303), FDE 432 (ES 303), FDE 434 (FDE 324), FDE 483, FDE 484 (FDE 321), FDE 490 (Fourth year standing), FDE 49 - 499 (Consent of the department)

NTE: See the website. <https://muhfd.metu.edu.tr/en/nte-courses>

Math & Basic Sciences

Engineering Topics

General Education

Other